



**it's cool to be safe**  
*explosion proof solution for the global market*









## OUR MISSION

Changing situations in the Oil & Gas industry demands rapid decisions and effective solutions. As a result, the ability to react quickly and with quality are major factors in determining a Company's success.

With an excellent team that understands your needs and caters to your requirements, SUPERMEC is the answer to your current and future success.

Our Mission is to excel in providing safety solutions in hazardous environments, with a focus on excellent quality, competitiveness, short lead times, and unparalleled customer service.



## QUALITY POLICY

The key to a successful business today is having the ability to produce quality products and services while meeting stringent delivery schedules.

**We are confident in consistently meeting your deadlines and standards of quality.**

SUPERMEC is committed to provide the highest level of service in the production of Explosion Proof Electrical Equipment and accessories to our customers by:

- **consistently meeting and exceeding our customers' expectations for product quality and performance.**
- **timely delivery of products and services to meet our customer requirements.**
- **continuous improvements of our processes and systems.**
- **ensuring our personnel are properly trained to be able to serve and solve our customers' needs.**

You know your Company's objectives, prospects and opportunities.

**SUPERMEC will help you achieve them!**

## OUR PRODUCTION

Our consolidated experiences in the field of Explosion Proof Electrical Equipment have allowed us to study, design and manufacture a complete new range of products suitable for use in highly hazardous areas such as chemical, petrochemical and pharmaceutical industries, Oil & Gas onshore/offshore plants, refineries and marine/sipping industries, including the most highly corrosive environment.

Our range of Explosion Proof Electrical Equipment are manufactured with the latest mechanical and electrical technology, using materials that guarantee the best protection against corrosive agents, to fully ensure our customers enjoy modern functionalities and solutions, and durability of investment.

Our product range covers the main requirements in terms of:

- **Process command and control**
- **Power distribution**
- **Illumination**
- **Equipment connections**

SUPERMEC is committed to constantly improve and update its range of products to provide the most effective solution for your requirements.



### EJB A

#### Aluminium Ex d Panel Boards

Enclosures are available in different sizes mainly used for the following applications: control station, motor starter, lighting control panel, instrument housing, etc.

Material: marine aluminium - epoxy coated RAL 7001

Protection: II 2GD - Ex d [ja/ib] IIB+H2 - Ex tb IIIC - IP66

Zone: 1 - 2 - 21 - 22

### EJB S

#### Stainless Steel Ex d Panel Boards

Enclosures are available in different sizes mainly used for the following applications: control station, motor starter, lighting control panel, instrument housing, etc.

Material: stainless steel AISI 316

Protection: II 2GD - Ex d [ja/ib] IIB+H2 - Ex tb IIIC - IP66

Zone: 1 - 2 - 21 - 22



### GUBA A

#### Aluminium Ex d Control Stations

Enclosures are available in different sizes mainly used for the following applications: control station, motor starter, lighting control panel, instrument housing, etc.

Material: marine aluminium - epoxy coated RAL 7001

Protection: II 2GD - Ex d [ja/ib] IIC - Ex tb IIIC - IP66

Zone: 1 - 2 - 21 - 22

### GUBA S

#### Stainless Steel Ex d Control Stations

Enclosures are available in different sizes mainly used for the following applications: control station, motor starter, lighting control panel, instrument housing, etc.

Material: stainless steel AISI 316

Protection: II 2GD - Ex d [ja/ib] IIC - Ex tb IIIC - IP66

Zone: 1 - 2 - 21 - 22



### EJB/GUB - ECS

#### Aluminium or Stainless Steel Ex d Earthing Control Systems

The Earthing Control System can be housed inside an EJB or GUB enclosure. It is complete with earthing clamp. The electronic unit is available with capacitive or capacitive-resistive control system.

Material: marine aluminium RAL 7001 or stainless steel AISI 316

Protection: II 2GD - Ex d [ja] IIB+H2/IIC - Ex tb IIIC - IP66

Zone: 1 - 2 - 21 - 22



## CSDC/CSDY/CSDU

*Aluminium Ex d Control Stations*

Multipurpose enclosure can be fitted with a wide range of push-button units, selectors, pilot-lights and rotary switches with a wide range of command cam equipment.

Material: **marine aluminium - epoxy coated RAL 7001**

Protection: **II 2GD - Ex d IIC - Ex tb IIIC - IP66**

Zone: **1 - 2 - 21 - 22**

## CSDC W/CSDY W

*Aluminium Ex d Instrument Housings*

Compact size housing can be equipped with a wide range of digital or analogue instruments such as voltmeters and ammeters. It can be also installed with photo-electrical lighting controls or digital video cameras.

Material: **marine aluminium - epoxy coated RAL 7001**

Protection: **II 2GD - Ex d IIC - Ex tb IIIC - IP66**

Zone: **1 - 2 - 21 - 22**



## CSE P

Multipurpose enclosure can be fitted with a wide range of push-button units, selectors, pilot-lights, rotary switches and analogic or digital instruments.

Material: **GRP - glass reinforced polyester**

Protection: **II 2GD - Ex d e mb IIC - Ex tb IIIC - IP66**

Zone: **1 - 2 - 21 - 22**

## CSE S

*Stainless Steel Ex ed Control Stations*

Multipurpose enclosure can be fitted with a wide range of push-button units, selectors, pilot-lights, rotary switches and analogic or digital instruments.

Material: **stainless steel AISI 316**

Protection: **II 2GD - Ex d e mb IIC - Ex tb IIIC - IP66**

Zone: **1 - 2 - 21 - 22**



## CSE A

*Aluminium Ex ed Control Stations*

Multipurpose enclosure can be fitted with a wide range of push-button units, selectors, pilot-lights, rotary switches and analogic or digital instruments.

Material: **marine aluminium - epoxy coated RAL 7001**

Protection: **II 2GD - Ex d e mb IIC - Ex tb IIIC - IP66**

Zone: **1 - 2 - 21 - 22**



### EJB A

*Aluminium Ex d Junction Boxes*

Enclosures are available in different sizes , mainly used for the following applications: terminal/bus-bars box, container for transformers, ballasts, zener barriers, etc.

Material: **marine aluminium - epoxy coated RAL 7001**

Protection: **II 2GD - Ex d [ia/ib] IIB+H<sub>2</sub> - Ex tb IIIC - IP66**

Zone: **1 - 2 - 21 - 22**

### EJB S

*Stainless Steel Ex d Junction boxes*

Enclosures are available in different sizes, mainly used for the following applications: terminal/bus-bars box, container for transformers, ballasts, zener barriers, etc.

Material: **stainless steel AISI 316**

Protection: **II 2GD - Ex d [ia/ib] IIB+H<sub>2</sub> - Ex tb IIIC - IP66**

Zone: **1 - 2 - 21 - 22**



### GUBA A/GUBW A

*Aluminium Ex d Junction Boxes*

Enclosures are available in different sizes, mainly used for the following applications: terminals/bus bars box, container for transformers, ballast, zener barriers, etc. With window cover (model GUBW) it's used to house large size of digital or analogic instruments.

Material: **marine aluminium - epoxy coated RAL 7001**

Protection: **II 2GD - Ex d [ia/ib] IIC - Ex tb IIIC - IP66**

Zone: **1 - 2 - 21 - 22**

### GUBA S

*Stainless Steel Ex d Conduit Boxes*

Enclosures are available in different sizes, mainly used for the following applications: terminals/bus bars box, container for transformers, ballast, zener barriers, etc..

Material: **stainless steel AISI 316**

Protection: **II 2GD - Ex d [ia/ib] IIC - Ex tb IIIC - IP66**

Zone: **1 - 2 - 21 - 22**



### GUA A

*Aluminium Ex d / Ex e Conduit Boxes*

Enclosures are used as pulling or terminal box. Available with any combination of entries, up to four on side and one on bottom, to cover all the installation schemes.

Material: **marine aluminium - epoxy coated RAL 7001**

Protection: **II 2GD - Ex d IIC - Ex tb IIIC - IP66**

Zone: **1 - 2 - 21 - 22**





## CSE P

### GRP Ex e Junction Boxes

Enclosures are available in different sizes , mainly used for the following applications: terminal and bus-bars box, container for batteries and control gears

Material: GRP - glass reinforced polyester

Protection: II 2GD - Ex e ia IIC - Ex tb IIIC - IP66

Zone: 1 - 2 - 21 - 22

## CSE S

### Stainless Steel Ex e Junction Boxes

Enclosures are available in different sizes , mainly used for the following applications: terminal and bus-bars box, container for batteries and control gears

Material: stainless steel AISI 316

Protection: II 2GD - Ex e ia IIC - Ex tb IIIC - IP66

Zone: 1 - 2 - 21 - 22



## CSE A

### Aluminium Ex e Junction Boxes

Enclosures are available in different sizes , mainly used for the following applications: terminal and bus-bars box, container for batteries and control gears

Material: marine aluminium - epoxy coated RAL 7001

Protection: II 2GD - Ex e ia IIC - Ex tb IIIC - IP66

Zone: 1 - 2 - 21 - 22

## SWE/SWAE/SCE/PE

### GRP Ex ed Plugs & Sockets

Plug and socket units are available from 16 to 125 Amp with different voltages. The connection between plug and socket is assured by an interlock system. The socket contacts are protected with a cover when unused. The plug can be joined to industrial socket installed in safe areas but the socket cannot be plugged with industrial one.

Material: GRP - glass reinforced polyester

Protection: II 2GD - Ex d e IIC - IP66

Zone: 1 - 21



## BSC

### Stainless Steel Ex e Battery Container

Enclosures are available in different sizes, used as battery container for solar-power installations.

Material: stainless steel AISI 316

Protection: II 2G - Ex e IIC - IP44

Zone: 1 - 21



## FLDE

### *Aluminium Ex de Floodlights*

Floodlight with integrated control gear for high pressure sodium, metal halide and mercury vapours lamps up to 400W. It has wide beam symmetric reflector. The double entry present on the integrated terminal box allows loop-in loop-out installation.

Material: **marine aluminium - epoxy coated RAL 7001**

Protection: **II 2GD - Ex d e IIB - Ex tb IIIC - IP66**

Zone: **1 - 2 - 21 - 22**

## FLDE - LED

### *Aluminium Ex de LED Floodlights*

LED Floodlight can be equipped with optics of different angles to provide a proper illumination of the areas. The angles available are: 10° (narrow) 20° (medium) and 40° (wide) to satisfy any standard requirements.

The power unit and the connection box (loop-in loop-out facility) are integrated but have two separate access to facilitate the maintenance.

Material: **marine aluminium - epoxy coated RAL 7001**

Protection: **II 2GD - Ex d e IIB - Ex tb IIIC - IP66**

Zone: **1 - 2 - 21 - 22**



## CSDC - LED

### *Aluminium Ex d LED Spotlights*

LED Spotlight with integrated control gear for illumination of small defined areas or for emergency lighting systems. The two entries allow any loop-in loop-out installation. An adjustable double-angle support is available for fixing it.

Material: **marine aluminium - epoxy coated RAL 7001**

Protection: **II 2GD - Ex d IIC - Ex tb IIIC - IP66**

Zone: **1 - 2 - 21 - 22**

## FLN

### *Aluminium Ex nR Floodlights*

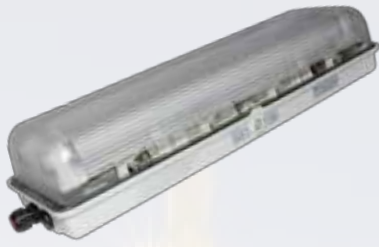
Floodlight with integrated control gear for high pressure sodium, metal halide lamps up to 400W. It has wide beam symmetric reflector. The double entry present on the body allows loop-in loop-out installation.

Material: **marine aluminium - epoxy coated RAL 7001**

Protection: **II 3GD - Ex nR II - Ex tc IIIC - IP66**

Zone: **2 - 22**





## LFE

### GRP Ex ed Fluorescent Lighting Fixtures

Fluorescent lighting fixture is available with single and double tube configuration and two sizes: 14 or 18W and 28 or 36W. The double entry present on each side allows any loop-in loop-out installation. Material: GRP - glass reinforced polyester

Protection: II 2GD - Ex d e mb q IIC - Ex tb IIIC - IP66

Zone: 1 - 2 - 21 - 22

## LFEE

### GRP Ex ed Emergency Lighting Fixtures

Emergency fluorescent lighting fixture is based on LFE model. The emergency unit allows two possible operation modes: "normal+emergency" or "only emergency". The fixture "only emergency" model is available with diffuser showing different indications (EXIT, arrows, warnings, etc.)

Material: GRP - glass reinforced polyester

Protection: II 2GD - Ex d e mb q IIC - Ex tb IIIC - IP66

Zone: 1 - 2 - 21 - 22



## LFN S

### Stainless Steel Ex nA Fluorescent Lighting Fixtures

Fluorescent lighting fixture available with single and double tube configuration and three sizes: 18W, 36W and 58W. The entries present on each side allows any loop-in loop-out installation.

Material: stainless steel AISI 304

Protection: II 3GD - Ex nA II - Ex tc IIIC - IP66

Zone: 2 - 22



## LFN P

### GRP Ex nA Fluorescent Lighting Fixtures

Fluorescent lighting fixture available with single and double tube configuration and three sizes: 18W, 36W and 58W. The entries present on each side allows any loop-in loop-out installation.

Material: GRP - glass reinforced polyester

Protection: II 3GD - Ex nA II - Ex tc IIIC - IP66

Zone: 2 - 22





### CG

#### *Metal Ex d - e Cable Glands for unarmoured cables*

Cable glands are normally used to connect Ex d and Ex e enclosures using non-armoured cables.

Available from 3/8" to 4" NPT and from M16 to M110 ISO Metric threads.

The modular gasket covering the different cable sizes facilitates the installation work. Protective shroud and earth tag are available upon request.

Material: **brass - nickel-plated brass - stainless steel AISI 316**

Protection: **II 2GD - Ex d IIC - Ex e IIC - Ex tb IIIC - IP66/68**

Zone: **1 - 2 - 21 - 22**

### CGA

#### *Metal Ex d - e Cable Glands for armoured cables*

Cable glands are normally used to connect Ex d, Ex e enclosures using armoured cables. Available from 3/8" to 3" NPT and from M16 to M90 ISO Metric threads. The simplified internal connection system facilitates the installation work. Protective shroud and earth tag are available upon request.

Material: **brass - nickel-plated brass - stainless steel AISI 316**

Protection: **II 2GD - Ex d IIC - Ex e IIC - Ex tb IIIC - IP66/68**

Zone: **1 - 2 - 21 - 22**



### CGF

#### *Metal Ex d - e Cable Glands for unarmoured cables*

Cable glands are normally used to connect Ex d, Ex e and Ex i enclosures using non-armoured cables protected by a rigid or a flexible conduit directly connected on its female hub. Available from 3/8" to 4" NPT and from M16 to M110 ISO Metric threads. The modular gasket covering the different cable sizes facilitates the installation work.

Material: **brass - nickel-plated brass - stainless steel AISI 316**

Protection: **II 2GD - Ex d IIC - Ex e IIC - Ex tb IIIC - IP66/68**

Zone: **1 - 2 - 21 - 22**

### CGP

#### *Polyamide Ex e - i Cable Glands for unarmoured cables*

Cable glands are normally used to connect Ex e and Ex i enclosures using non-armoured cables. Available from M16 to M63 ISO Metric threads. The cable glands for Ex i installation can be supplied with light blue cap.

Material: **polyamide 6**

Protection: **II 2GD - Ex e IIC - Ex tb IIIC - IP66/68**

Zone: **1 - 2 - 21 - 22**



### CGI - CGL - CGV

#### *Metal Ex d - e Cable Glands for unarmoured cables*

Cable glands are normally used to connect Ex d, Ex e and Ex i enclosures using non-armoured cables protected by a water-tight flexible conduit directly connected on its female hub with different angulations. Available from 3/8" to 1" 1/2 NPT and from M16 to M50 ISO Metric threads. The modular gasket covering the different cable sizes facilitate the installation work.

Material: **brass - nickel-plated brass - stainless steel AISI 316**

Protection: **II 2GD - Ex d IIC - Ex e IIC - Ex tb IIIC - IP66/68**

Zone: **1 - 2 - 21 - 22**





## SND - SBD

### *Metal Ex d - e Sealed Nipples & Sealed Bushings*

Sealing nipples and bushings are used to connect Ex d and Ex e enclosures with single-core cables of different types and sizes. Cables are factory-sealed on specific client's request.

Material: **galvanized steel - stainless steel - brass - nickel-plated brass**

Protection: **II 2GD - Ex d IIC - Ex e IIC - Ex tb IIIC - IP66**

Zone: **1 - 2 - 21 - 22**

## BMF-FF-MM/RMF-FF-MM

Galvanized / Stainless steel Ex d three-pieces unions

The three-piece unions are designed to allow the connection between conduit equipment and enclosures thanks to the independent rotation of their ends. Available with a male or female threads from 1/2" to 4" NPT and from M20 to M110 ISO Metric threads. Metric threaded unions are provided with internal locknut and gasket.

Material: **galvanized steel - stainless steel AISI 316**

Protection: **II 2GD - Ex d IIB / IIC - Ex tb IIIC - IP66**

Zone: **1 - 2 - 21 - 22**



## PL - RA

### *Metal Ex d - e Plugs & Adaptors*

A complete range of plugs, used for closing unused plugs and adaptors used to provide means of connection between male and/or female hubs with different type and size of thread.

Available from 1/4" to 4" NPT and from M12 to M110 ISO Metric threads.

Plugs and adaptors with other threads are available upon request.

Material **brass - nickel-plated brass - galvanized steel - stainless steel AISI 316**

Protection: **II 2GD - Ex d IIC - Ex e IIC - Ex tb IIIC - IP66/68**

Zone: **1 - 2 - 21 - 22**

## FC - RC

### *Metal Ex d Flexible & Rigid Conduits*

When requesting an additional mechanical protection to cabling connection, it is available in complete range of flexible and rigid conduits with different threads suitable for any kind of application. For rigid conduits installation, it is available in complete range of fixing accessories such as clamps, u-bolts, saddles, etc.

Material: **galvanized steel - stainless steel**

Protection: **II 2GD - Ex d IIC - Ex tb IIIC - IP66**

Zone: **1 - 2 - 21 - 22**



## EYS - EZS

### *Ex d Sealing Fittings*

Sealing fittings are used to connect Ex d enclosures with single-core cables of different types and sizes. EYS series can be used only for vertical installation while EZS series cover both vertical and horizontal connections.

Material: **marine aluminium - epoxy coated RAL 7001**

Protection: **II 2GD - Ex d IIC - Ex tb IIIC - IP66**

Zone: **1 - 2 - 21 - 22**



### PVC - PVC - SWA - PVC

*Electrical Cable*

Plain annealed copper conductors, PVC insulated - PVC bedded  
STEEL wire armoured - PVC sheathed

Voltage: **600/1000 V**. Sheath Colour: **Black**. Core Identification:

2 core: **Brown, blue**. 3 core: **Brown, Black, grey**. 4 core: **Brown, Black, Grey, Blue**.

5 core: **Brown, Black, Grey, Blue, Green/Yellow**.

≥ 5 core: **Black or White**.

### XLPE - PVC - SWA - PVC

*Electrical Cable*

Plain annealed copper conductors, XLPE insulated - PVC extruded  
bedded - STEEL wire armoured - PVC sheathed

Voltage: **600/1000 V**. Sheath Colour: **Black**. Core Identification:

2 core: **Brown, blue**. 3 core: **Brown, Black, grey**.

4 core: **Brown, Black, Grey, Blue**.

5 core: **Brown, Black, Grey, Blue, Green/Yellow**.

≥ 5 core: **Black or White**.



### XLPE - PVC - AWA - PVC

*Electrical Cable*

Single core plain annealed copper conductor, XLPE insulated - PVC extruded bedded,  
Aluminium wire armoured - PVC sheathed

Voltage: **600/1000 V**.

Sheath Colour: **Black**.

Core Identification: **Black**.



### PVC - PVC

*Electrical Cable*

Plain annealed copper conductor, PVC insulated - PVC sheathed

Voltage: **600/1000 V**. Sheath Colour: **Black**. Core Identification:

1 core: **Black**. 2 core: **Brown, blue**. 3 core: **Brown, Black, grey**.

4 core: **Brown, Black, Grey, Blue**. 5 core: **Brown, Black, Grey, Blue, Green/Yellow**.

≥ 5 core: **Black or White**.



### PVC

*Electrical Cable*

Plain annealed copper conductor, PVC insulated and not-sheathed

Voltage: **450/750 V**.

Sheath Colour: **Red, Black, Yellow, Blue, White, Grey and Grey/yellow**.





## XLPE - PVC

*Electrical Cable*

Plain annealed copper conductors, XLPE insulated and sheathed

Voltage: **600/1000 V.**

Sheath Colour: **Black.**

Core Identification: **Black.**

## XLPE - PVC

*Instrumental Cable - Overall Screen*

Voltage: **300V.** Conductor: **Plain annealed stranded copper**

Insulation: **Cross-linked Polythylene.** Screening: **Individual and Overall Screen of Aluminium;**  
**Polyester tape with tinned drain wire of 0.5 mm<sup>2</sup>.** Outer Strength: **PVC.**

Outer Sheat Colour: **Black or Blue**

Core: **Pair Black, White identification**



## XLPE - PVC

*Instrumental Cable - Individual and Overall Screen*

Voltage: **300V.** Conductor: **Plain annealed stranded copper**

Insulation: **Cross-linked Polythylene.** Screening: **Individual and Overall Screen of Aluminium;**  
**Polyester tape with tinned drain wire of 0.5 mm<sup>2</sup>.** Outer Strength: **PVC.**

Outer Sheat Colour: **Black or Blue**

Core: **Pair Black, White identification**

## XLPE - PVC - SWA - PVC

*Instrumental Cable - Overall Screen*

Voltage: **300V.** Conductor: **Plain annealed stranded copper**

Insulation: **Cross-linked Polythylene.** Screening: **Individual and Overall Screen of Aluminium;**  
**Polyester tape with tinned drain wire of 0.5 mm<sup>2</sup>.** Outer Strength: **PVC.**

Outer Sheat Colour: **Black or Blue**

Core: **Pair Black, White identification**



## XLPE - PVC - SWA - PVC

*Instrumental Cable - Individual and Overall Screen*

Voltage: **300V.** Conductor: **Plain annealed stranded copper**

Insulation: **Cross-linked Polythylene.** Screening: **Individual and Overall Screen of Aluminium;**  
**Polyester tape with tinned drain wire of 0.5 mm<sup>2</sup>.** Outer Strength: **PVC.**

Outer Sheat Colour: **Black or Blue**

Core: **Pair Black, White identification**



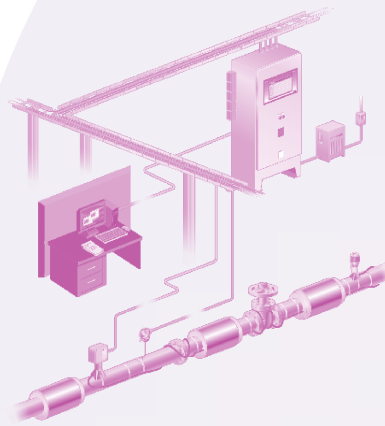
### Heat Management Systems

Is an engineered system designed to maintain or protect process piping, equipment, vessels and instruments at defined temperatures and within specified design criteria.

Supermec has the resources and expertise to provide complete Heat Management Systems for your projects everywhere in the world.

These include applications involving processes in pipes, wells, tanks and vessels and meet the needs of many different industries.

In addition to pipe-tracing systems, there are standard (off-the-shelf) or customised solutions to meet a broad variety of needs.



### BTV - QTVR - XTV - KTV - VPL

*Parallel Heating Systems*

*Self-Regulating*

Operating to voltages up to 277 V, the wide range of self-regulating products can provide:

Temperature maintenance up to 150°C

Exposure temperature up to 215°C

Circuit lengths up to 245 m

*Power Limiting Technology*

Operating to voltages up to 480 V, power-limiting heating cables can provide:

Temperature maintenance up to 235°C;

Exposure temperature up to 260°C;

Circuit lengths up to 450 m.



### XPI/NH - XPI - XPI/S

*Polymer Insulated Series heating System*

*Constant Watt Technology*

Operating to voltages up to 750 V, Pyrotenax are series resistance heating cables

which can provide:

Temperature maintenance up to 200°C;

Exposure temperatures up to 300°C;

Circuit lengths from a few metres to approximately 5 kilometres.



### HCH/HCC - HDF/HDC - HSQ - HAx - HIQ

*Mineral Insulated Series Heating System*

*Constant Watt Technology*

Operating to voltages up to 600 V,

Pyrotenax heating cables can provide:

Temperature maintenance up to 600°C

Exposure temperatures up to 1000°C

Circuit lengths from a few metres to several kilometres.



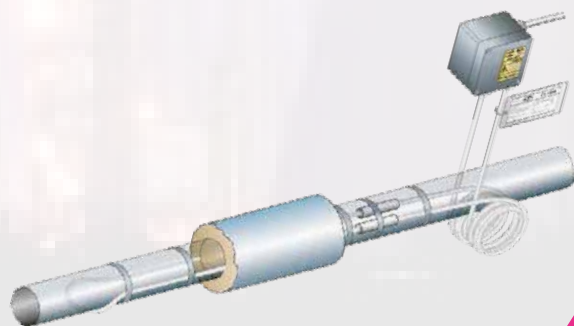
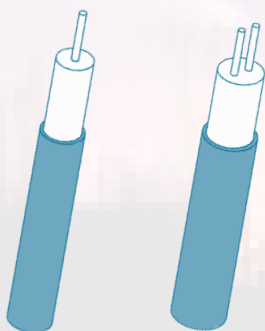
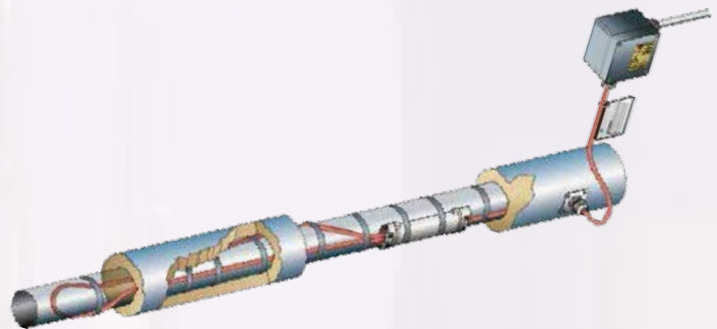
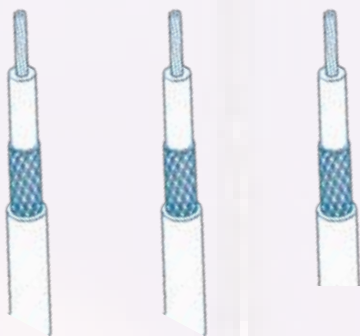
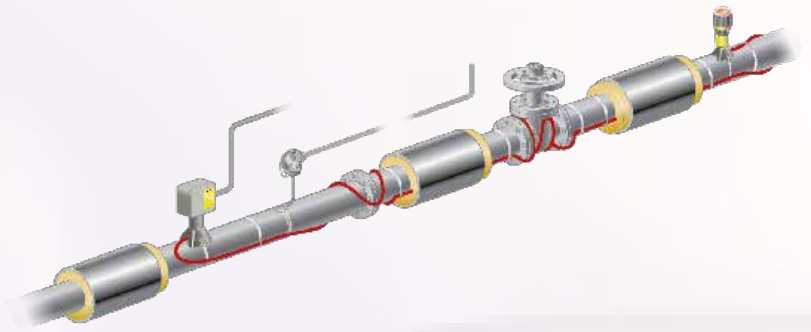
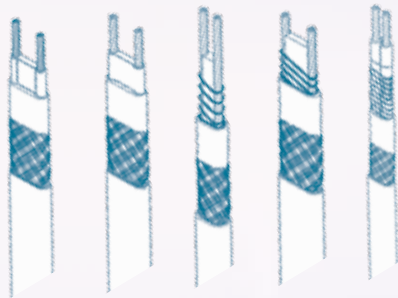


## Project Services

Supermec's project service goes beyond product supply to system integration and right through to full turnkey project management. There are Service Centres in many countries enabling them to meet local requirements and reflect local practices while providing a full array of Heat Management System (HMS) services.

Supermec engineering teams can support all different stages of any size project or provide a full Engineering, Procurement and Construction (EPC) service. This ensures that the whole plant has the best possible system, with a single point of responsibility for its success, providing total care in heat-tracing.

- Front End Engineering and Design (FEED)- Procurement - Commissioning
- Detailed engineering - Installation & construction - Maintenance





### CSI - A

*Aluminium Control Stations and Terminal Boxes*

Multipurpose enclosure can be fitted with a wide range of push-button units, selectors, pilot-lights, rotary switches and analogic or digital instruments, terminals and bus-bars.

Material: **marine aluminium - epoxy coated RAL 7001**

Protection: **IP66**



### CSI - P

*GRP Control Stations and Terminal Boxes*

Multipurpose enclosure can be fitted with a wide range of push-button units, selectors, pilot-lights, rotary switches and analogic or digital instruments, terminals and bus-bars.

Material: **GRP - glass reinforced polyester**

Protection: **IP66**



### CSI - S

*Stainless Steel Control Stations and Terminal Boxes*

Multipurpose enclosure can be fitted with a wide range of push-button units, selectors, pilot-lights, rotary switches and analogic or digital instruments, terminals and bus-bars.

Material: **stainless steel AISI 316**

Protection: **IP66**



### IH - IP Series

Operators and Switches, designed to be installed on our enclosures CSI and to be used in the industrial heavy-duty environment, where strongly aggressive atmospheres are normally present. The complete range includes actuators and switches studied to meet the main requirements of power distribution, monitoring, signaling and other electrical functions inside the plants.

Protection: **IP66**



### CGPW

*Polyamide Cable Glands for unarmoured cables*

Cable glands are normally used to connect Industrial enclosures using non-armoured cables. Available from M12 to M63 ISO Metric threads.

Material: **polyamide 6**

Protection: **IP66/68**





## CGAW

*Metal Industrial Cable Glands for armoured cables*

Cable glands are normally used to connect industrial enclosures using armoured cables. Available from 3/8" to 3" NPT and from M16 to M90 ISO Metric threads. The simplified internal connection system facilitates the installation work. Protective shroud and earth tag are available upon request.

Material: **brass - nickel-plated brass - stainless steel AISI 316**

Protection: **IP66/68**

## CGW

*Metal Industrial Cable Glands for unarmoured cables*

Cable glands are normally used to connect Ex d and Ex e enclosures using non-armoured cables. Available from 3/8" to 4" NPT and from M16 to M110 ISO Metric threads.

The modular gasket covering the different cable sizes facilitates the installation work.

Protective shroud and earth tag are available upon request.

Material: **brass - nickel-plated brass - stainless steel AISI 316**

Protection: **IP66/68**



## FLI

*Aluminium Industrial Floodlights*

Floodlight with integrated control gear for high pressure sodium, metal halide lamps up to 400W. It has wide beam symmetric reflector. The double entry present on the body allows loop-in loop-out installation.

Material: **marine aluminium - epoxy coated RAL 7001**

Protection: **IP66**

## LFI S

*Stainless Steel Industrial Fluorescent Lighting Fixtures*

Fluorescent lighting fixture available with single and double tube configuration and three sizes: 18W, 36W and 58W. The entries present on each side allows any loop-in loop-out installation.

Material: **stainless steel AISI 304**

Protection: **IP66**



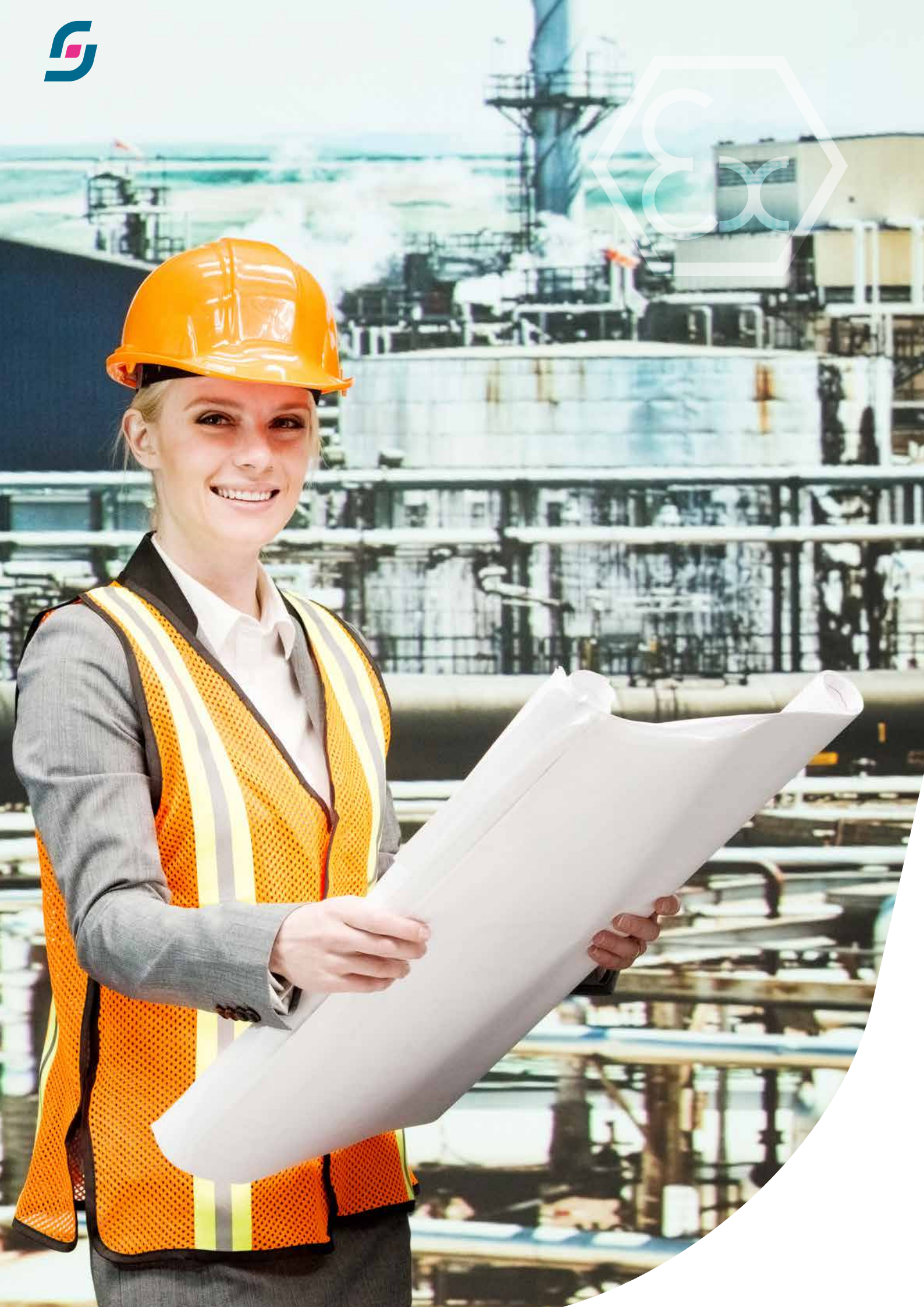
## LFI P

*GRP Industrial Fluorescent Lighting Fixtures*

Fluorescent lighting fixture available with single and double tube configuration and three sizes: 18W, 36W and 58W. The entries present on each side allows any loop-in loop-out installation.

Material: **GRP - glass reinforced polyester**

Protection: **IP66**





## CERTIFIED PROTECTION

Since the beginning of our journey in the Explosion Proof sector, SUPERMEC has invested heavily into the formation of our technical and commercial team. Through this effort, we are now recognised as one of the major experts in South East Asia in this field, organizing dedicated seminars and updating customers to the latest Ex-proof Standards.

SUPERMEC is certified by internationally recognized bodies for ISO 9001:2008 and OHSAS 18001:2007, and its manufacturing sites and range of ex-proof equipment are certified in conformity to the latest IECEx , ATEX and EAC-Ex.



## CUSTOM MADE

***“Be GLOCAL” has always been SUPERMEC’s working philosophy.***

*Having a GLOBAL presence ensures that we think and develop a product or service not only for local requirements.*

*Having a LOCAL presence, our dedicated and well-trained staff are able to assist in customer requirements, solve their problems, and provide the best possible interface.*

*Being GLOCAL, SUPERMEC is able to support directly and through its regional subsidiaries, customers who require special executions such as Ex-proof switch racks and panel boards.*

*The design and construction of these panels are custom-made locally with a continuous interchange of information between SUPERMEC and Clients until the final result is fully satisfactory.*

*Last but not least, we provide complete assurance that these special executions have been made in accordance with the Standards and within the limits of certification, under the full supervision and control of the manufacturer.*

## SERVICE & SUPPORT

SUPERMEC understands the importance of having clear and correct information about its range of products for the market.

Together with the daily support of its Technical and Commercial team, SUPERMEC provides clients with a complete and detailed technical documentation available in both paper and digital format, so as to match the traditional approach with a more efficient and complete electronic system.

SUPERMEC trusts web-based communications specially because of the opportunity to always grant updated data and higher volume of information together with the possibility to use new working instruments like video-instructions and electronic handbooks available also through small devices.







## Supermec Group

### HEADQUARTERS



#### **Supermec Private Limited**

17 Tuas Ave 20 - Singapore 638828

Tel: (65) 6861 9522

Fax: (65) 6861 0184

[sales@supermec.com](mailto:sales@supermec.com)

[www.supermec.com](http://www.supermec.com)

### MANUFACTURING & LOGISTICS HUB



#### **Supermec d.o.o.**

Velika Pot 14

5250 Solkan - Slovenia

Tel. (386) 40 200155

Tel: (39) 335 471319

[andrea@supermec.com](mailto:andrea@supermec.com)

### OVERSEAS OFFICES



#### **Supermec Vietnam Company Limited**

42/55 Nguyen Minh Hoang Str. Ward 12

Tan Binh Dist HCM City - Vietnam

Tel: (84) 838 110 448

Fax: (84) 862 925 580

[sales@supermec.com](mailto:sales@supermec.com)



#### **Supermec (M) Sdn Bhd**

No. 16 Jalan PJS 7/21, Bandar Sunway  
46150 Petaling Jaya, Selangor - Malaysia

Tel: (60) 3 5631 5370

Fax: (60) 3 5631 5378

[sales@supermec.com](mailto:sales@supermec.com)



#### **Supermec Middle East FZE**

2-217 - THUB2 Dubai Silicon Oasis

Dubai - United Arab Emirates

Tel: (971) 55 629 4004

[jjoy@supermec.com](mailto:jjoy@supermec.com)



**Supermec Private Limited**

17 Tuas Ave 20, Singapore 638828

Phone: +65 6861 9522

Fax: +65 6861 0184

[sales@supermec.com](mailto:sales@supermec.com)

[www.supermec.com](http://www.supermec.com)

